

## Tool Caddy Project

**Building Time:** 2-3 hours

**Age Level:** 10 and up

### **Materials:**

- 2- 1" x 8" x 24" for sides
- 1- 1" x 8" x 22 ½" for bottom
- 2- 1" x 8" x 12" for ends
- 16 2" nails
- 1 ¾" dowel rod
- Fine sandpaper
- Saw
- Hammer
- Drill
- (Optional) Paint/stain and brush



### **Procedure:**

#### **Part 1: Cutting**

1. Saw each of the pieces (see the materials list).
2. Cut the dowel rod to a 24" length.
3. Sand down all the pieces

#### **Part 2: Optional**

Paint/stain the pieces and let dry

#### **Part 3: Pre- Assembly** (see Diagram A)

1. Make a dot in the center of the 2 end pieces 1 ½ inches from the top.
2. Drill holes with a ¾" diameter bit for the tool holder and side pieces.

#### **Part 4: Assembly** (see Diagram B)

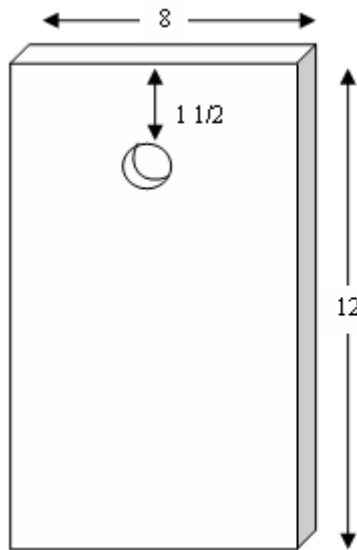
1. Tap the dowel into the hole near the top of each end piece to make the handle.
2. Fit the bottom piece evenly at the bottom between the 2 end pieces, parallel to the dowel.
3. Fasten the end pieces to the bottom piece with 2 nails at each end.
4. Fit each side piece to the end and bottom pieces.

5. Put 4 nails evenly spaced out into the side piece along the length of the bottom.
6. Put 2 nails in either end of the side pieces.

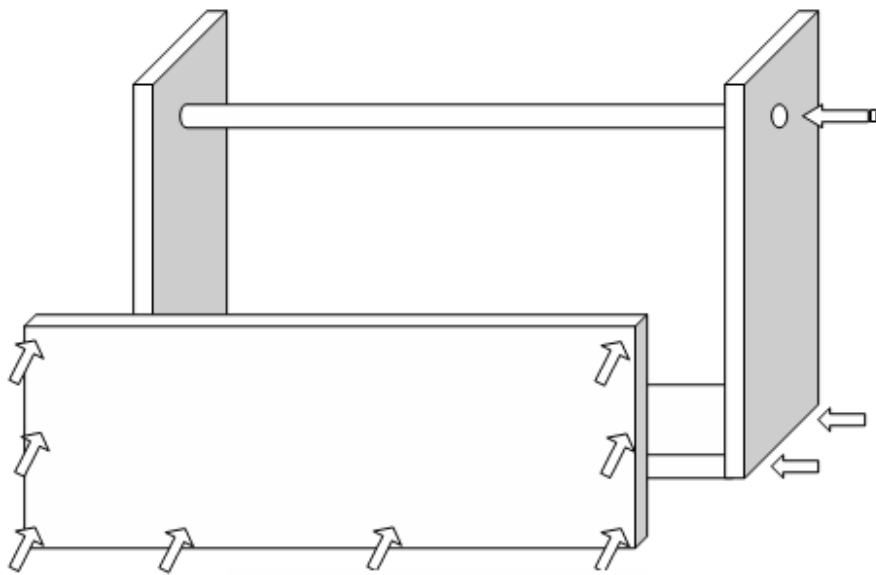
### Part 5: Optional

Decorate the tool caddy (use paint, markers, etc.)

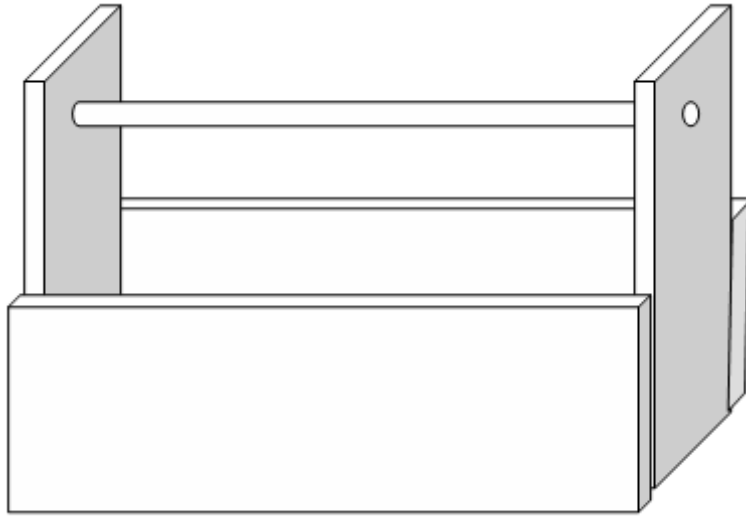
*Also, consider other ways to use this project (example: flower box). Be creative!*



**Diagram A**



**Diagram B**



**Completed Tool Caddy**